



Robor is an established supplier of palisade profiles. With its strong focus on research and development, the company offers a range of high quality products designed featuring enhanced strength, security and aesthetic appeal.

Robor has been specialising in the production of both standard and special cold formed steel profiles since 1957. In addition to its value adding services, the company also carries the best range of standard stock products to allow for the shortest delivery lead times.

The experienced and highly capable team at Robor is focused on building partnerships with its client base by understanding their businesses and requirements.



The Product Range:

The range features products in two sizes of varied thicknesses and a variety of spike options.

Palisades are also available as a finished product, cut to size, punched, spiked, and customised according to requirements, thus saving time, installation costs, and eliminating waste.

Benefits:

- Standard or made to order products
- Dedicated palisade line
- Good strength to weight ratio
- Available in pre-galvanized options

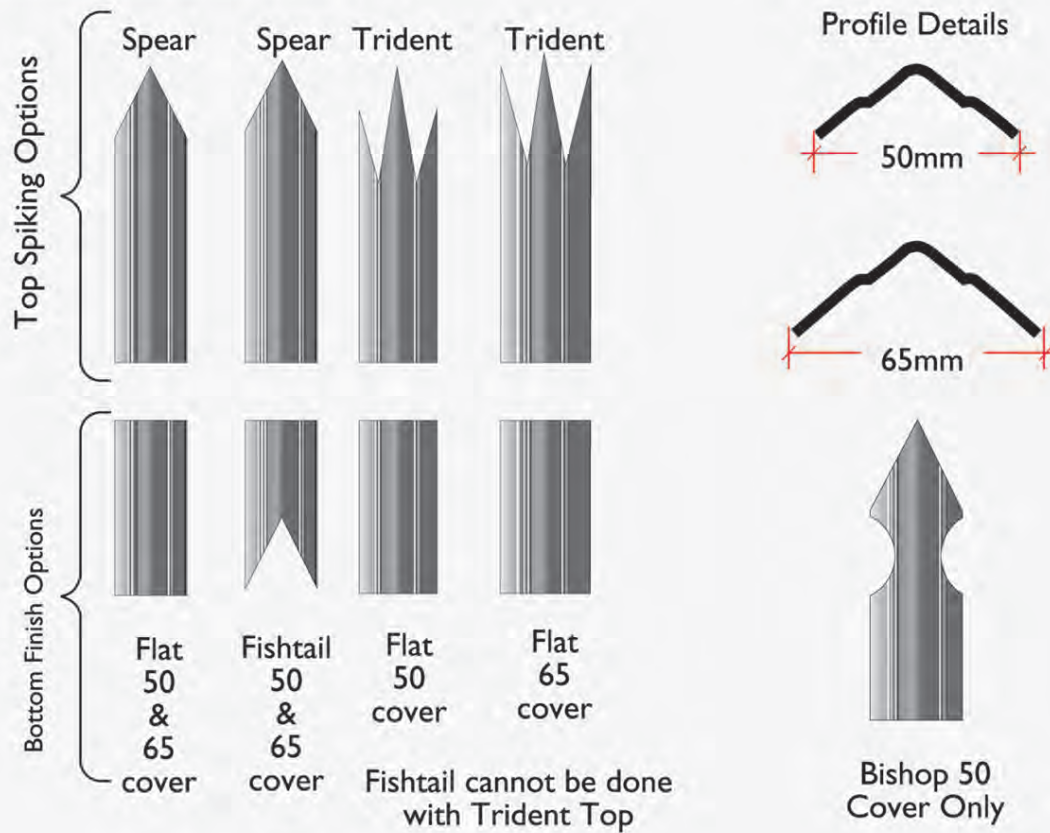


Value add

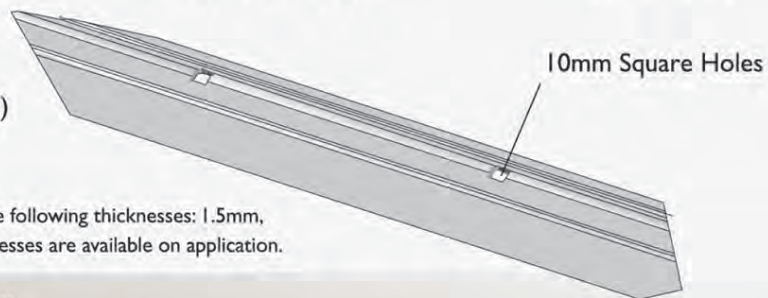
- Cut to length
- Punching
- Hot dip galvanizing

Palisade Spiking & Value Add Options

CTL & Spiked (In line on mill)

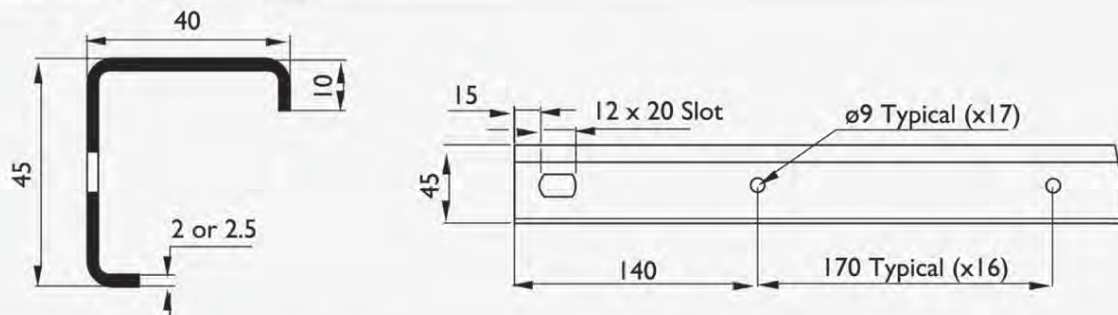


Full Value Add (Additional Process)



The above pales are all available in the following thicknesses: 1.5mm, 2mm, 2.5mm and 3mm. Other thicknesses are available on application.

Horizontal Cross Members



Tubular posts, both rectangular and squares, are available in various sizes and thicknesses on application.